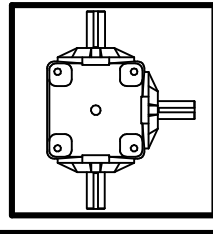
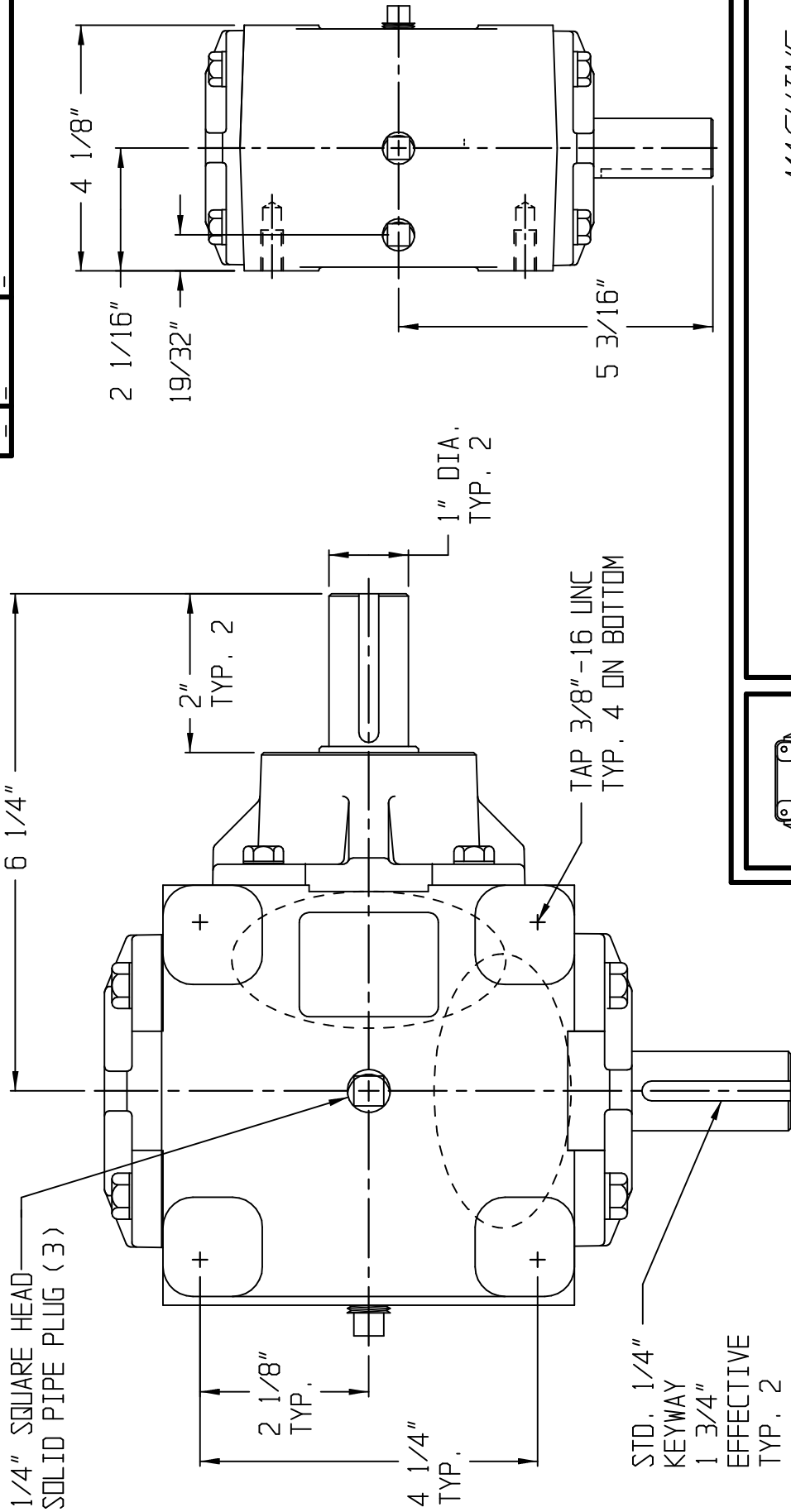


REV.	DATE	REVISION RECORD	ECR



CURTIS

MACHINE COMPANY, INC.
DODGE CITY, KANSAS

- NOTES:
1. ASSEMBLE UNIT FOLLOWING CS#76
 2. ASSEMBLE RIGHT HAND GEAR #110585 ON THRU SHAFT

TOLERANCES (EXCEPT AS NOTED)	REFERENCE NUMBER	DRAWN BY
DECIMAL ±.010"	569517	JHC
FRACTIONAL ±1/32"	THIS NUMBER IS FOR REFERENCE USE ONLY, A PART NUMBER WILL BE ASSIGNED WHEN THIS ITEM GOES INTO PRODUCTION.	
ANGULAR ±0°30'	APPROVED BY	
MACHINE FINISHES 125	-	
DATE 1/10/03	TITLE	
PART NUMBER 941617	STD.214 1:1 SB TYPE 'F' STAINLESS STEEL 316SS	
REVISION -	REVISION	

This drawing and all information thereon is the property of Curtis Machine Co. Inc. It is loaned confidentially and must not be used in any way detrimental to our interest. DO NOT SCALE THIS DRAWING